

# Decanter centrifuges, D-Series

High performance



# Decanter centrifuges, D-Series

## High performance

With more than 15.000 installed machines, ANDRITZ SEPARATION is one of the leading suppliers of decanter centrifuges. The D-Series with its optimized HP-Scroll is mainly used for compressible media like all kind of sludge, but also for food, bio-ethanol and slop oil applications.

**Our decanter centrifuge fits in with our customers' needs.**

**Our rotor is the most polyvalent available on the market**

Its specific design and open flight permit use of the entire volume and provide extremely good clarification results; extraction of sludge is simplified by the angle, and the acceleration (3000G) is a good compromise between the highest dryness and the right power consumption.

**An unrivalled operational convenience**

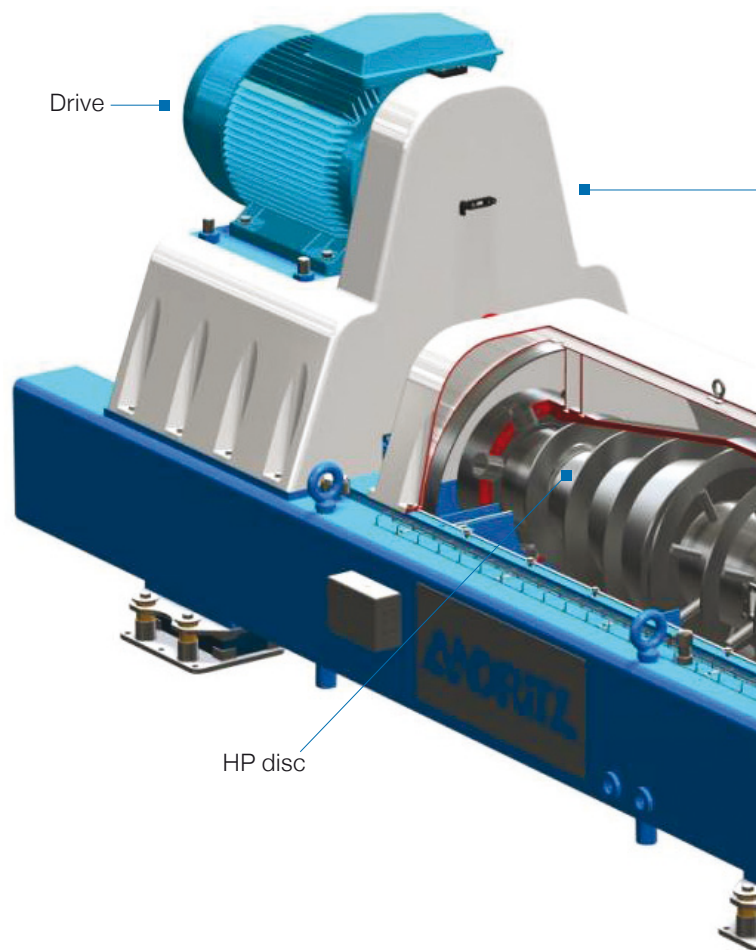
The main operating parameters can be adjusted independently of one another and with high accuracy : bowl speed (efficiency of solid/liquid separation), relative scroll speed (residence time, hence dryness), pond depth (clarification).

**Well-balanced operating costs**

The polymer dosage is optimised. Flocculation is carried out at the feed in order to leave sufficient contact time for formation of resistant flocs; the distributor (feed chamber) shape avoids swift polymer passage with centrate whose residence time in the decanter is very short.

**We provide advice and investigate your project with you**

Sizing is performed according to sludge type, flow, expected performance, operating time, power consumption, and polymer dosage.

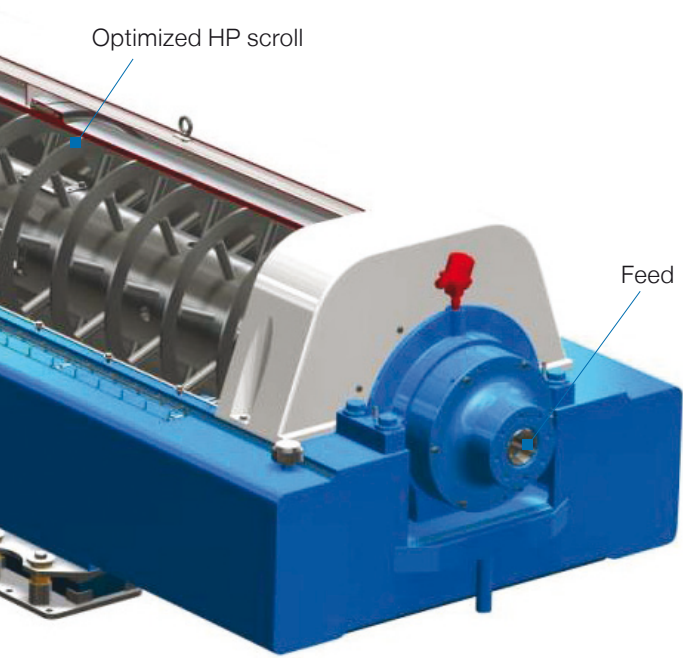


**Easy dismantling and maintenance**

Compact in-line design

Optimized HP scroll

Feed



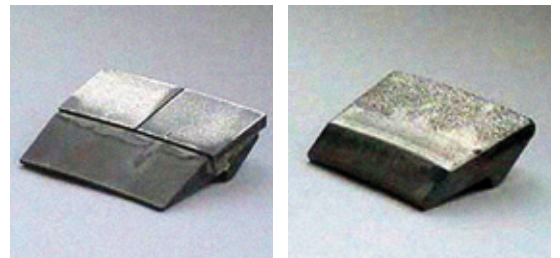
D-series decanter with double coaxial drive

**The decanter allows treatment of difficult and varying sludge qualities with the following benefits:**

- No operator supervision (automatic operation)
- Simplified civil engineering (very compact installation)
- No prior thickening, therefore no double flocculation (direct dewatering immediately downstream of a clarifier or aeration pool)
- Clean, efficient and water-saving technology
- Reduced and easy maintenance

**The patented TC-Drive**

- Energy consumption reduced by 10%
- Very reduced height and length
- Further reduction of vibrations (e.g. no V-belts required)



Optimized abrasion protection by replaceable tungsten carbide tiles



## Models - From D2 to D12

### Approximate design flow rate (m<sup>3</sup>/h) suspended solids $\approx$ 0.5% w/w (feed concentration)

Type	D2N	D2L	D2LL	D3L	D3LL	D4L	D4LL	D5L	D5LX	D6LX	D7LL	D10LL	D12LL
m <sup>3</sup> /h	4	6	8	16	22	30	37	50	65	95	130	175	280



#### AFRICA

##### ANDRITZ Delkor (Pty) Ltd.

Phone: +27 (11) 466 2361  
 Fax: +27 (86) 636 2122  
 separation.za@andritz.com

#### AUSTRALIA

##### ANDRITZ Pty. Ltd.

Phone: +61 (3) 8773 4888  
 Fax: +61 (3) 8773 4899  
 separation.au@andritz.com

#### EUROPE

##### ANDRITZ AG

Phone: +43 (316) 6902 2318  
 Fax: +43 (316) 6902 92318  
 separation@andritz.com

#### SOUTH AMERICA

##### ANDRITZ SEPARATION Ltda.

Phone: +55 (47) 3387 9110  
 Fax: + 55 (47) 3387 9103  
 separation.bra@andritz.com

#### ASIA

##### ANDRITZ Singapore Pte. Ltd.

Phone: +65 (6512) 1800  
 Fax: +65 (6863) 4482  
 separation.sg@andritz.com

#### CHINA

##### ANDRITZ (China) Ltd.

Phone: +86 (757) 6663 3419  
 Fax: +86 (757) 6663 3448  
 separation.cn@andritz.com

#### NORTH AMERICA

##### ANDRITZ SEPARATION Inc.

Phone: +1 (817) 465 5611  
 Fax: +1 (817) 468 3961  
 separation.us@andritz.com

[www.andritz.com](http://www.andritz.com)